

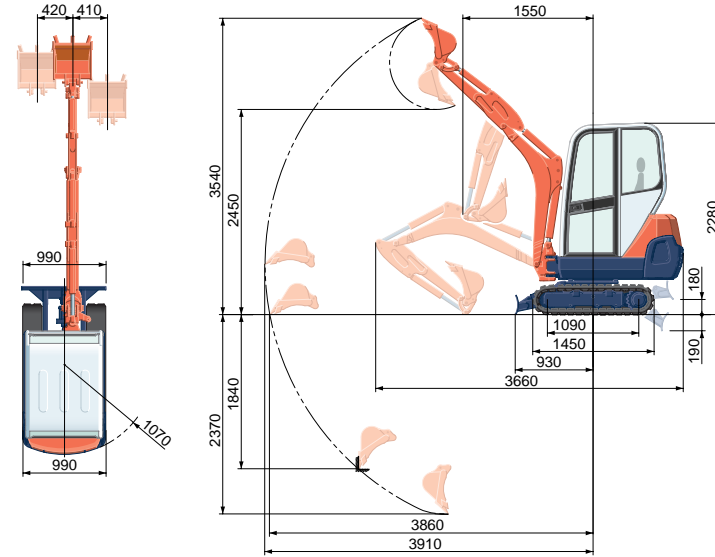
SPECIFICATIONS

Model		KX41-3S		KX41-3V	
Machine weight	Cabin	kg	1610	1720	
	Canopy	kg	1520	1630	
Bucket capacity, std. SAE/CECE		m ³	0,04		
Bucket width	with side teeth	mm	474		
	without side teeth	mm	450		
Model		D902-BH			
Type		Water-cooled, diesel engine E-TVCS			
Engine	Output ISO9249	PS/rpm	16/2300		
		kW/rpm	11,8/2300		
	Number of cylinders	3			
	Bore x stroke	mm	72 x 73,6		
Displacement		cc	898		
Overall length		mm	3660		
Overall height	Cabin	mm	2280		
	Canopy	mm	2280		
Swivelling speed		rpm	9,1		
Rubber shoe width		mm	230		
Tumbler distance		mm	1090	1230	
Dozer size (width x height)		mm	990 x 230	990/1300 x 230	
Hydraulic pumps	P1, P2		Variable displacement pump		
	Flow rate	ℓ/min	17,3		
	Hydraulic pressure	MPa(kgf/cm ²)	21,6 (220)		
	P3		Gear type		
Max. digging force	Arm	daN (kgf)	780 (796)		
	Bucket	daN (kgf)	1560 (1592)		
Boom swing angle (left/right)		deg	73/50		
Auxiliary circuit	Flow rate	ℓ/min	27,7		
	Hydraulic pressure	MPa(kgf/cm ²)	21,6 (220)		
Hydraulic reservoir		ℓ	27		
Fuel tank capacity		ℓ	21		
Max. travelling speed	Low	km/h	2,4	2,2	
	High	km/h	4,3	4,0	
Ground contact pressure	Cabin	kPa(kgf/cm ²)	27,5 (0,28)	26,9 (0,27)	
	Canopy	kPa(kgf/cm ²)	25,7 (0,26)	25,5 (0,26)	
Ground clearance		mm	160		

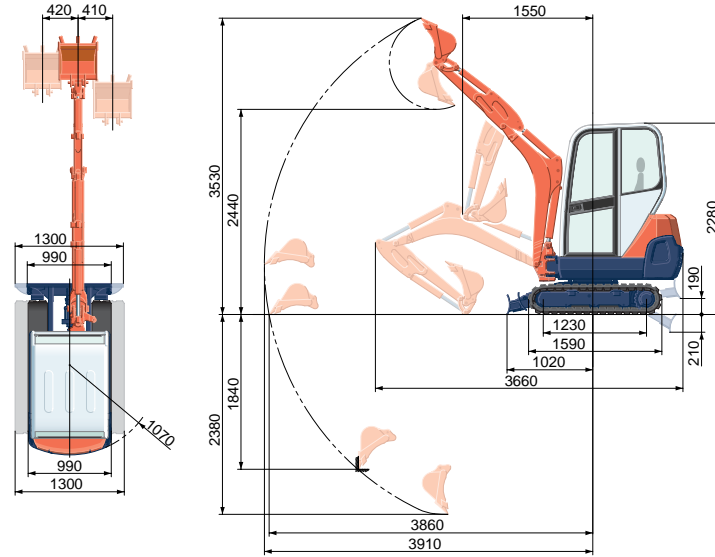
*Rubber shoe type

WORKING RANGE

KX41-3S



KX41-3V



Unit: mm

KUBOTA MINI-EXCAVATOR

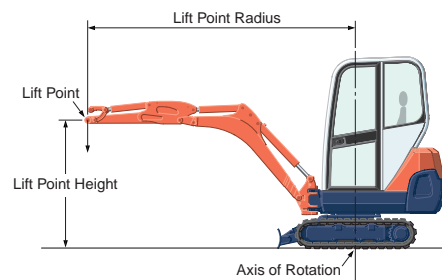
KX41-3S

KX41-3V



LIFTING CAPACITY

Lift Point Height	daN (ton)					
	Lifting point radius (2m)			Lifting point radius (3m)		
	Over-front		Over-side	Over-front		Over-side
	Blade Down	Blade UP		Blade Down	Blade UP	
S	1,5m	260 (0,26)	260 (0,26)	260 (0,26)	270 (0,28)	190 (0,20)
	1,0m	410 (0,42)	360 (0,37)	280 (0,28)	280 (0,29)	190 (0,19)
	0,5m	520 (0,53)	340 (0,34)	260 (0,26)	290 (0,30)	180 (0,19)
	0m	530 (0,54)	320 (0,33)	240 (0,25)	280 (0,29)	180 (0,18)
V	1,5m	310 (0,32)	310 (0,32)	310 (0,32)	340 (0,35)	210 (0,22)
	1,0m	510 (0,52)	400 (0,41)	420 (0,43)	360 (0,37)	210 (0,21)
	0,5m	650 (0,67)	380 (0,39)	410 (0,42)	370 (0,38)	210 (0,21)
	0m	680 (0,69)	370 (0,38)	400 (0,40)	370 (0,37)	200 (0,21)



Please note:

* The lifting capacities are based on ISO 10567 and do not exceed 75% of the static tilt load of the machine or 87% of the hydraulic lifting capacity of the machine.

* The excavator bucket, hook, sling and other lifting accessories are not included on this table.

* Working ranges are with Kubota standard bucket, without quick coupler.

* Specifications are subject to change without notice for purpose of improvement.

KUBOTA EUROPE S.A.S

19 à 25, Rue Jules - Vercey -
Zone Industrielle - B.P. 50088 95101
Argenteuil Cedex France
Téléphone : (33) 01 34 26 34 34
Télécopieur : (33) 01 34 26 34 99

KUBOTA (U.K.) LTD

Dormer Road, Thame Oxfordshire,
OX93UN, U.K.
Phone : (44) 01844-268140
F a x : (44) 01844-216685

KUBOTA Baumaschinen GmbH

Steinhauser Straße 100
D-66482 Zweibrücken Germany
Telefon : (49) 0 63 32 - 487 - 312
F a x : (49) 0 63 32 - 487 - 101

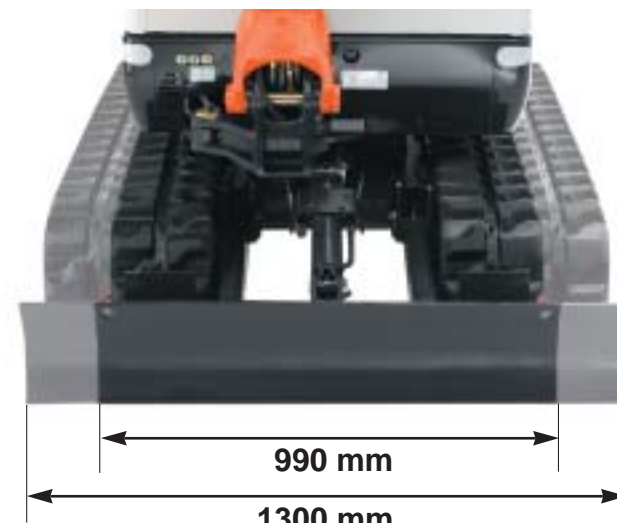
May the largest force be with you ! The KX41-3 packs the largest lifting force, the largest digging depth, and powerful digging force.* (* In its class.)

Put the KX41-3 mini-excavator on your side. And there's no telling what you'll accomplish. That's because it's loaded with all the features you need to tackle the most challenging jobs. Ground-breaking features such as the largest boom lifting force and largest maximum digging depth in its class ; generously increased bucket digging force ; more spacious cabin with comfortable suspension seat ; ultra-reliable Kubota diesel engine ; and more. May the awesome force of the Kubota KX41-3 mini-excavator be with you.



Adjustable track gauge*

For an increase in stability, the KX41-3V's tracks can be expanded to a maximum of 1.300mm. When its tracks are retracted, passing through narrow doorways and tight work areas is also possible. Plus, either adjustment can be made in just seconds. (* On the KX41-3V model only.)



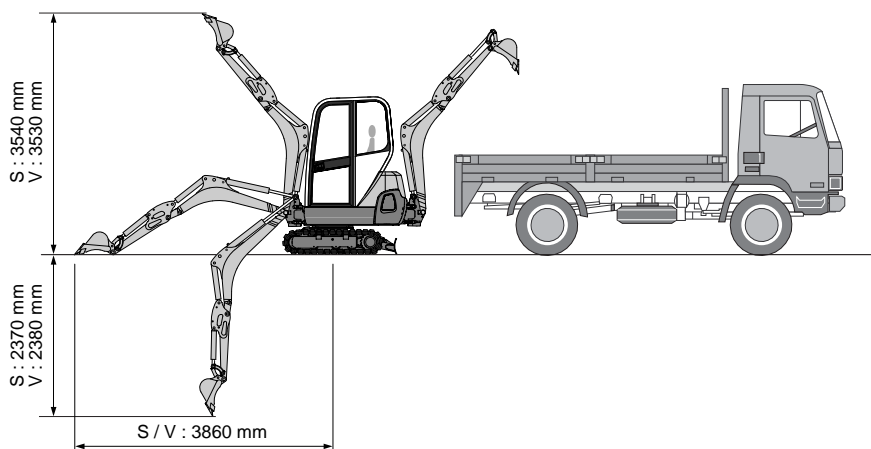
Boom cylinder

For greater protection, the boom cylinder is located on the topside of the boom. To further extend service life, the boom cylinder, bucket cylinder, and auxiliary hydraulic hoses are all routed through the boom. Lifting power has also been increased by changing the boom cylinder's diameter and pressure.



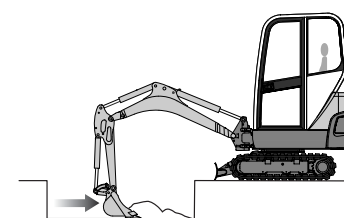
Digging arm and bucket

A longer arm provides the KX41-3 with the largest digging depth in its class. Combined with a more powerful bucket digging force and the largest boom lifting force in its class, the KX41-3 delivers a performance that's unrivalled.



Variable displacement pump

For efficient operation, both the oil flow and pressure are adjusted according to the workload by the variable displacement pumps. The pumps even reduce the required engine horsepower for greater fuel efficiency while also decreasing vibration and noise.



Balanced performance

Smooth, simultaneous, and precise control of the boom, arm, and bucket are achieved with Kubota's unique hydraulic system. And, because they are perfectly matched, you're assured smooth and accurate control.

Work at your optimum performance level longer with maximum comfort and maximum safety.

Deluxe cabin

To keep you operating at your peak longer, our larger cabin delivers maximum comfort. It provides more legroom, an adjustable suspension seat, increased protection, plus an exceptionally low noise level of LpA 76dB. (Canopy noise level: LpA 75dB.)



ROPS/FOPS

When you're well protected, you can concentrate more on the job at hand. That's why both our cabin and 4-post canopy come equipped with ROPS and FOPS.



Wide operator's area

Relocating the controls and levers to a more user-friendly position not only makes operating the KX41-3 easier, but at the same time, has also made the operating area amazingly spacious.



Cabin door space

By increasing cabin door space, quick boarding and unboarding is now possible.

Straight travel

For safer flatbed loading, unloading, and de-bogging, Kubota's unique hydraulic system ensures the KX41-3 of straight travel, even during simultaneous operations.

2-speed travel switch on dozer lever

With the 2-speed travel switch re-located from the floor to the dozer lever, you'll enjoy greater comfort with increased legroom as well as improved dozer-operating convenience when changing travel speeds.



Lock system

To prevent unexpected machine movement, the safety lever must be raised to lock out the travel levers and pilot controls before the engine will start.

Dozer cylinder hoses

Utilising a more efficient two-piece design, the KX41-3's dozer cylinder hoses can be quickly replaced on the spot.



Easy engine maintenance and protected cylinder hoses keep productivity up and downtime down.

Quick maintenance

Accessing the engine is fast and easy, thanks to a full-open hood. For quick daily maintenance, simply open the rear cover panel to expose oil filter, coolant, air filter, radiator, and more.



Kubota engine

The Kubota D-902 engine with 898cc displacement provides economical and environmentally clean power.

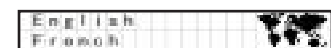
Protected cylinder hoses

To extend service life and improve visibility, the bucket cylinder hoses are well protected having been routed through the arm.



Kubota Intelligent Control System

An innovative upgrade that always keeps you in tune with the KX41-3's vital signs. The Kubota Intelligent Control System is equipped with warning indicators for engine, fuel, temperature, and oil ; a service mode which enables accurate troubleshooting ; and standard indicators which display current working conditions such as engine cycle, hour meter, tachometer, and more.



Language selection display



Information when service time comes



Low fuel display

Standard Equipment

Engine/Fuel system

- Double-element air cleaner
- Electric fuel pump

Undercarriage

- 230 mm rubber track
- 2-speed travel
- Variable track (KX41-3V)

Hydraulic system

- Pressure accumulator
- Hydraulic pressure checking ports
- Straight travel circuit
- Third-line hydraulic return
- Variable pump

Safety system

- Engine Start Safety System on the left console
- Travel Lock System
- Swivel Lock System

Working equipment

- 1100 mm arm
- Auxiliary hydraulic circuit piping to the arm's end
- 2 working lights on the cabin and 1 light on the boom

Cabin

- ROPS (Roll-Over Protective Structure, ISO3471)
- FOPS (Falling Objects Protective Structure) Level 1
- Weight-adjustable semi suspension seat
- Seatbelt
- Hydraulic pilot control levers with wrist rests
- Cabin heater for defrosting & demisting
- Emergency exit hammer
- Front window power-assisted with 2 gas damper
- 12V power source
- Location for radio
- Back mirror
- Switch and harness for beacon light
- Kubota Intelligent Control System

Canopy

- ROPS (Roll-Over Protective Structure, ISO3471)
- FOPS (Falling Objects Protective Structure) Level 1
- Weight-adjustable semi suspension seat
- Seatbelt
- 12V power source
- Hydraulic pilot control levers with wrist rests
- Switch and harness for beacon light
- Kubota Intelligent Control System

Optional Equipment

- 2 speakers and radio antenna

